



# Marc Climatic Controls, Inc.

## **EXPLOSION-PROOF** **Wall Fans - Supply and Exhaust** **Class I, Division 1, Groups B, C, D**

### **Features:**

- Through the wall installation.
- Spark proof construction.
- Aluminum fan blade.
- Explosion-proof motor, UL listed for Class I, Division 1, Groups B, C, D hazardous locations, Operating Temperature Code T3C.
- Mineral Insulated (MI) cable for wiring, UL listed for Class I, Division 1, Groups B, C, D hazardous locations.
- 3/4" NPT conduit connection and no seal required.
- Backdraft damper.
- Aluminum mesh filter on air inlet for supply fans.
- Screen guard on air inlet for exhaust fans.
- Painted galvanized steel cabinet.
- Angle flashing provided for indoors and out.

### **Options:**

- Dual fan arrangement.
- Manual operator for adjusting air flow.
- Stainless steel cabinet.
- Flanged fresh air inlet.
- Other filter types.
- Deeper cabinet for thicker building walls (standard cabinet is for 3" wall).
- Motor starter or disconnect.
- Air flow switch with form C contacts.

### **SUPPLY FAN**



**WSFX SERIES**

Conduit  
Connection  
Not Shown

### **EXHAUST FAN**



**WEFX SERIES**

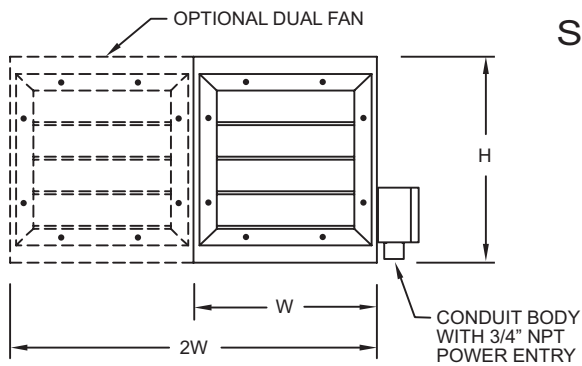
Conduit  
Connection  
Not Shown

**WALL FANS**  
**SINGLE OR DUAL FANS\***  
**- 60 HZ -**

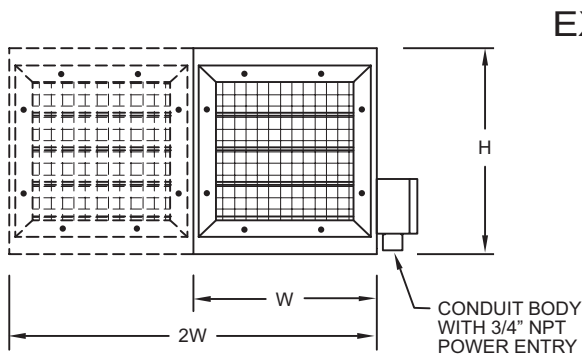
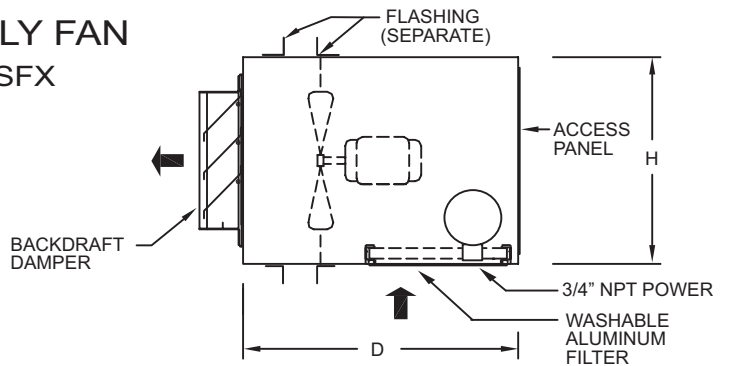
**EXPLOSION-PROOF**  
**CLASS I, DIVISION 1, GROUPS B,C,D**  
 OPERATING TEMPERATURE CODE T3C

Model	Volts Phase Hertz	Operating Temperature Code	Unit Amps	Dimensions		
				W	H	D
WSFX • WEFX10SB1-116	115-1-60	T3C - 320°F (160°C)	3.6	12"	12"	24"
WSFX • WEFX12SB1-116	115-1-60	T3C	3.6	18"	18"	24"
WSFX • WEFX14SB1-116	115-1-60	T3C	3.6	18"	18"	24"
WSFX • WEFX10SB1-216	230/208-1-60	T3C	1.8	12"	12"	24"
WSFX • WEFX12SB1-216	230/208-1-60	T3C	1.8	18"	18"	24"
WSFX • WEFX14SB1-216	230/208-1-60	T3C	1.8	18"	18"	24"

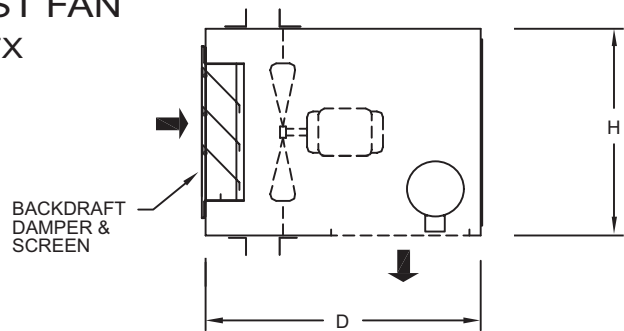
\* For "Dual Fan" insert "D" in model no. in lieu of "S" (example: WSFX10DB1-116)



**SUPPLY FAN**  
**WSFX**



**EXHAUST FAN**  
**WEFX**



SPECIFICATIONS ARE SUBJECT TO CHANGE WITHOUT NOTICE 1-19-06



**Marc Climatic Controls, Inc.**

P. O. Box 218309 • Houston, Texas 77218 USA  
 Phone (713) 464-8587 • Fax (713) 468-8810

www.marcclimatic.com • E-mail: sales@marcclimatic.com

COPYRIGHT © 2006 Marc Climatic Controls, Inc. All Rights Reserved