



Marc Climatic Controls, Inc.

HAZARDOUS LOCATION

Inline Fan

Class I, Division 2, Groups B, C, D

The ISFX inline fan is certified by CSA International to U.S. and Canadian standards for use in Class I, Division 2, Groups B,C,D hazardous (classified) locations. CSA International is accredited as a Nationally Recognized Testing Laboratory (NRTL) by the U.S. Occupational Safety and Health Administration (OSHA).

The IFSX tough plastic housing offers excellent protection in indoor and wet, outdoor installations alike. A motorized backward-inclined wheel provides smooth, continuous air flow.

Features:

- CSA certified assuring safety and performance.
- Spark-proof construction.
- Plastic housing made of UV-protected thermoplastic resin.
- Indoor or outdoor installation.
- Use with or without duct.
- Can be used in either a supply or exhaust configuration.
- 1/2" NPT conduit connection for easy power wiring and no seal required.
- Bracket for indoor mounting.

ISFX Fan



Options:

- Heavy duty bracket for outdoor mounting.
- Fresh air inlet with elbow and screen.
- Filtered inlet box.
- Air flow switch.
- Motor starter or disconnect.
- Rubber reducers for smaller duct runs.
- PVC ball valves for adjusting purge air flow into NEMA cabinets (used with reduced duct sizes).

**INLINE FAN
ISFX Series**

- 60 HZ -

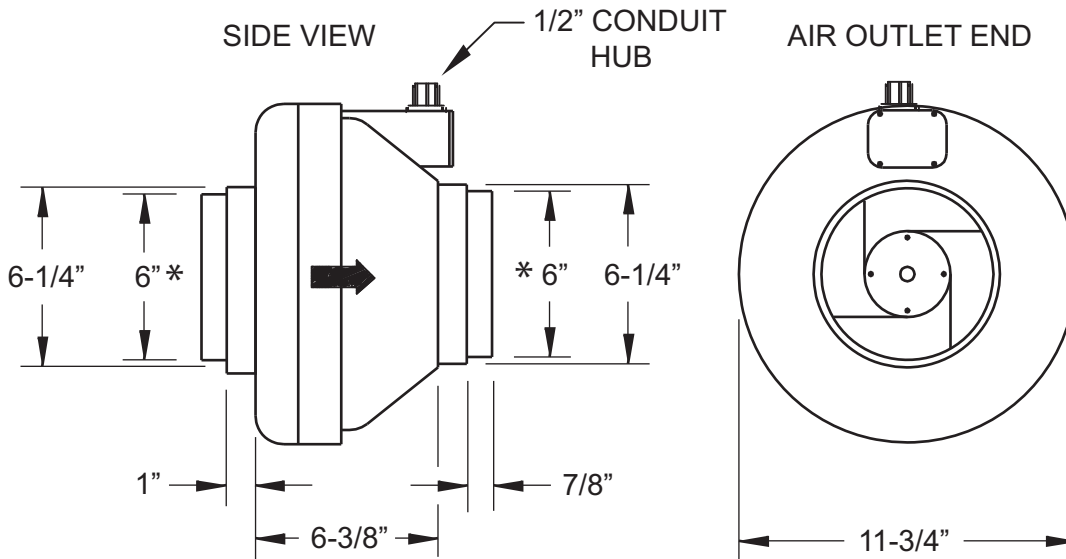
**HAZARDOUS LOCATIONS
CLASS I, DIVISION 2, GROUPS B, C, D**

OPERATING TEMPERATURE CODE
T3C - 320°F (160°C)

The fan shown below is certified by CSA International to U.S. and Canadian standards for use in Class I, Division 2, Groups B,C,D hazardous (classified) locations. CSA International is accredited as a Nationally Recognized Testing Laboratory by the U.S. Occupational Safety and Health Administration (OSHA).

MODEL	DUCT DIA.	VOLTS	RATED WATTS	WATTAGE RANGE	MAX. AMPS	CFM AND STATIC PRESSURE IN INCHES WG							RPM
						0"	.2"	.4"	.6"	.8"	1.0"	1.5"	
ISFX160	6"	115	129	103 - 130	1.14	289	260	233	206	179	154	89	2750

Performance shown is with ducted outlet. Air flow performance shown in chart has been derated by a factor based on actual test results and the certified rate at .2 inches WG.



* Duct connections are 1/8" smaller than duct size.

SPECIFICATIONS ARE SUBJECT TO CHANGE WITHOUT NOTICE 10-27-08 (Supersedes 8-6-08)



Marc Climatic Controls, Inc.

P. O. Box 218309 • Houston, Texas 77218 USA
 Phone (713) 464-8587 • Fax (713) 468-8810
 www.marclimatic.com • E-mail: sales@marclimatic.com
 COPYRIGHT © 2008 Marc Climatic Controls, Inc. All Rights Reserved

