



# Marc Climatic Controls, Inc.

## HAZARDOUS LOCATION

### Muffin Fans

#### Class I, Division 2, Groups B, C, D

MSFX series muffin fans are certified by CSA International to U.S. and Canadian standards for use in Class I, Division 2, Groups B,C,D hazardous (classified) locations. CSA International is accredited as a Nationally Recognized Testing Laboratory (NRTL) by the U.S. Occupational Safety and Health Administration (OSHA).

The MSFX series fans must be installed in weatherproof environments. Their compact design is ideal for installation inside enclosures to provide cooling and ventilation of the interior.

### MSFX Series



MSFX061-116

### Features:

- CSA certified assuring safety and performance.
- Spark-proof construction.
- Housing: Die-cast aluminum with black paint.
- Impeller: Plastic, fiberglass filled.
- External grounding hickey.
- For indoor installation only.
- Can be used in either a supply or exhaust configuration.
- 1/2" NPT conduit connection for easy power wiring and no seal required.

### Options:

- Plastic inlet and outlet grilles.
- On-off switch with explosion-proof enclosure.
- Conduit body for wire connection.
- Thermostat, explosion-proof.
- Air flow switch.

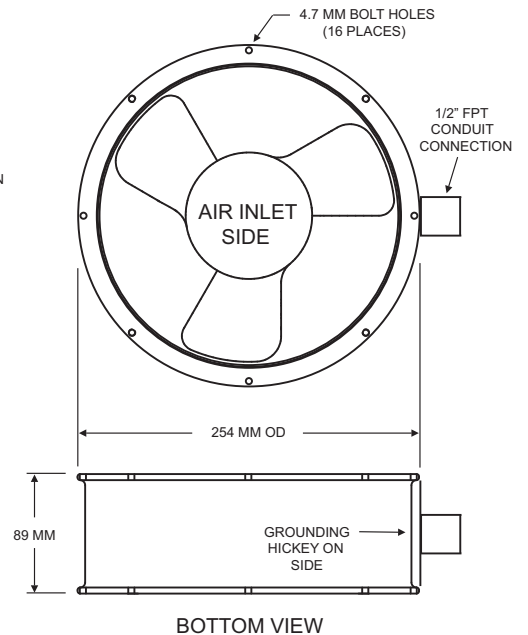
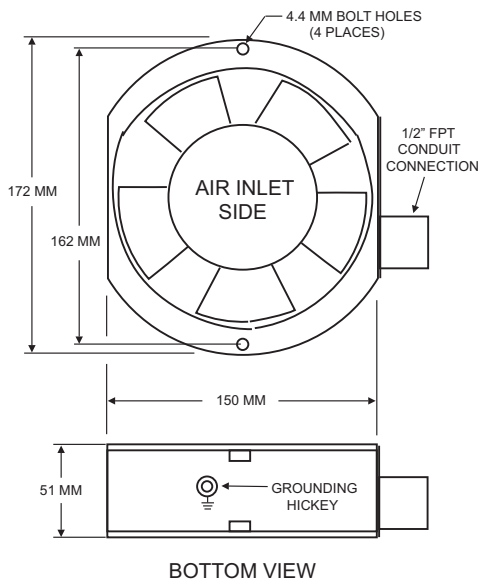
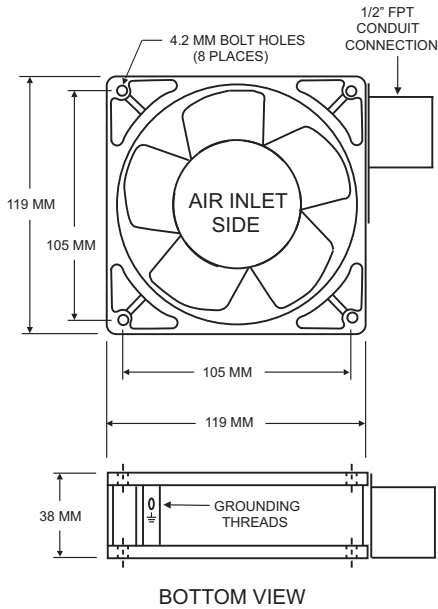
# MUFFIN FANS MSFX Series

- 50 & 60 HZ -

## HAZARDOUS LOCATIONS CLASS I, DIVISION 2, GROUPS B, C, D

OPERATING TEMPERATURE CODE  
T3C - 320°F (160°C)

MODEL	NOM. SIZE	CFM	STATIC PRESS. (IN. WG)	VOLTS PHASE HERTZ	WATTS	AMPS	MOTOR RPM	NOISE (DBA)	DIMENSIONS (MM)		
									W	H	D
MSFX041-116	4-1/2"	105	0.28	120-1-60	17	0.18	3000	47	119	119	38
MSFX041-115	4-1/2"	80	0.23	110-1-50	18	0.24	2700	42	119	119	38
MSFX041-216	4-1/2"	105	0.28	240-1-60	17	0.11	3000	47	119	119	38
MSFX041-215	4-1/2"	80	0.23	220-1-50	18	0.13	2700	42	119	119	38
MSFX061-116	6"	235	0.79	120-1-60	35	0.45	3100	45	172	150	51
MSFX061-115	6"	190	0.63	110-1-50	38	0.5	2800	50	172	150	51
MSFX100-116	10"	550	0.45	120-1-60	30	0.3	1650	48	254 Diameter		89
MSFX100-115	10"	460	0.35	110-1-50	35	0.32	1500	48	254 Diameter		89
MSFX100-216	10"	550	0.45	240-1-60	31	0.14	1650	48	254 Diameter		89
MSFX100-215	10"	460	0.35	220-1-50	33	0.15	1500	48	254 Diameter		89



SPECIFICATIONS ARE SUBJECT TO CHANGE WITHOUT NOTICE 2-1-08



## Marc Climatic Controls, Inc.

P. O. Box 218309 • Houston, Texas 77218 USA

Phone (713) 464-8587 • Fax (713) 468-8810

www.marclimatic.com • E-mail: sales@marclimatic.com

COPYRIGHT © 2008 Marc Climatic Controls, Inc. All Rights Reserved

