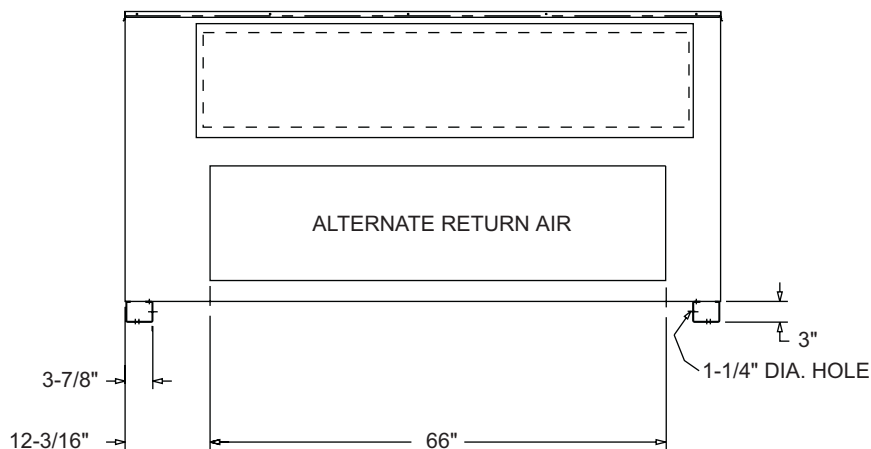
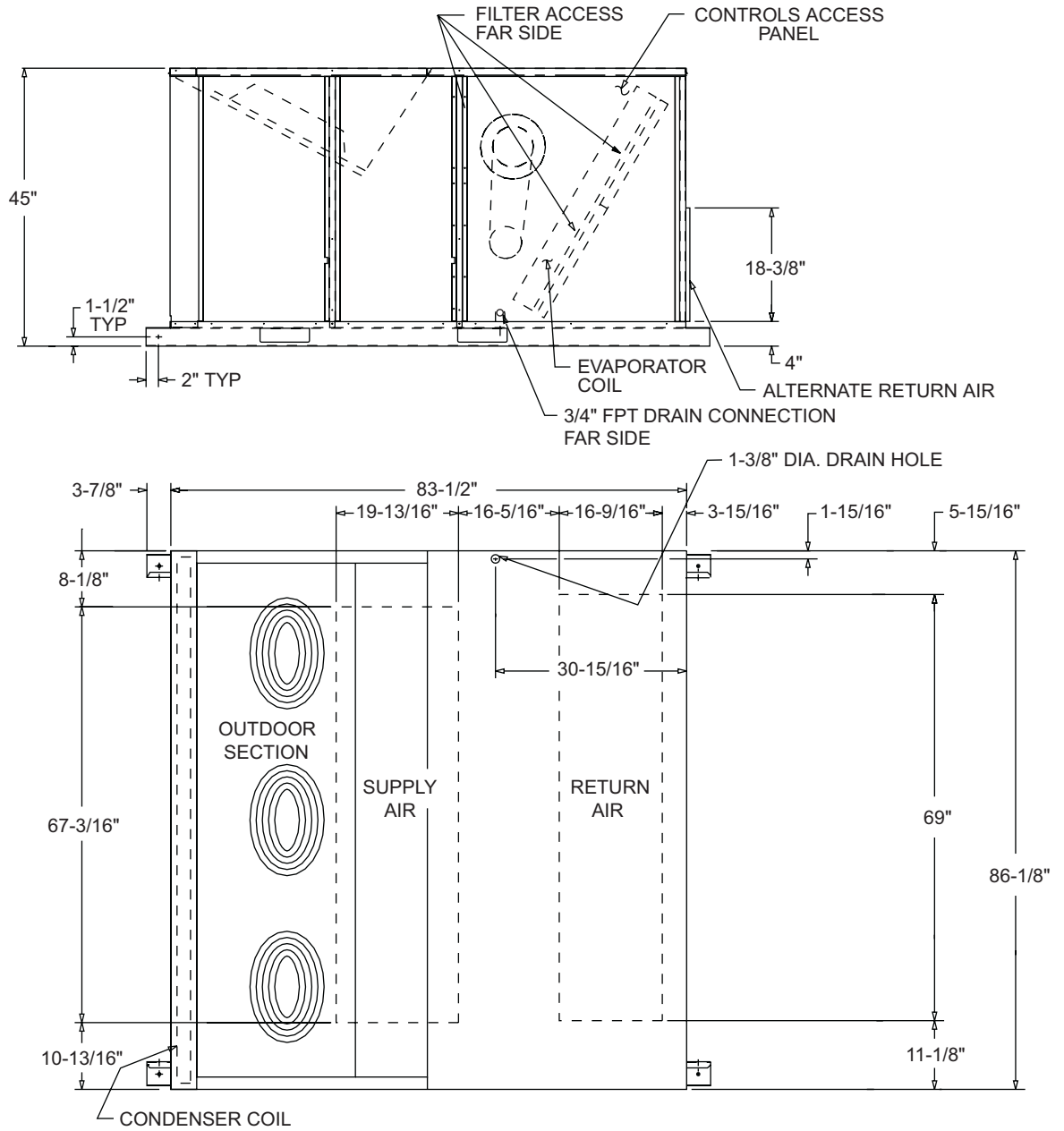


***i-SERIES Dimensions***  
***PACX - 15 Ton***  
***PHPX - 13 & 15 Ton***



# *i-SERIES Dimensions*

## PACX - 20 Ton

# Marc Climatic Controls, Inc.

5-10-07

