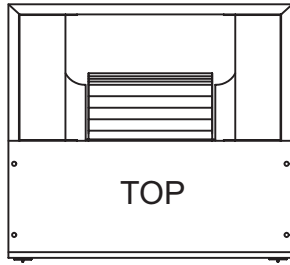


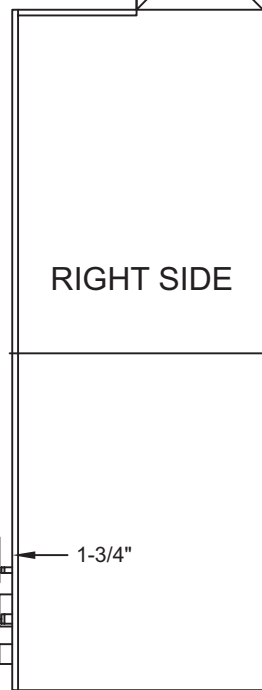
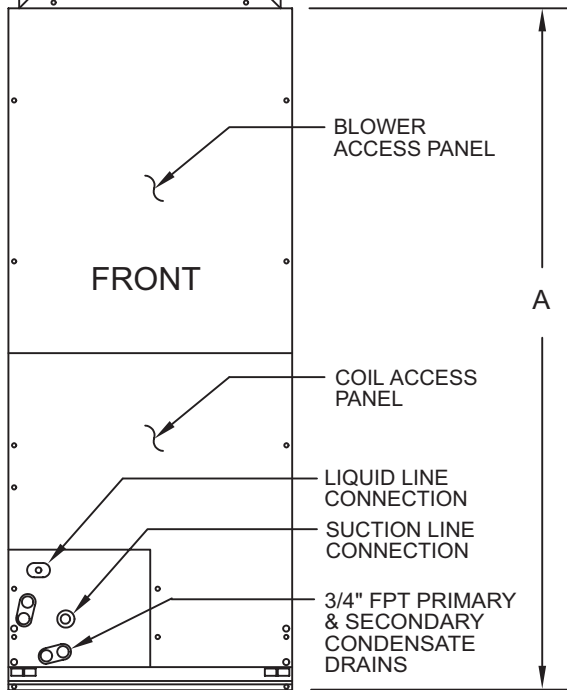
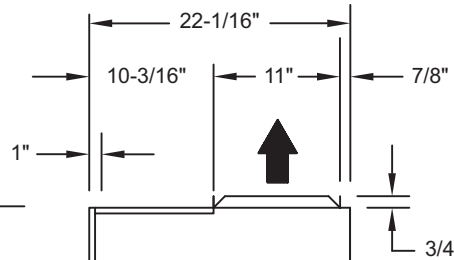
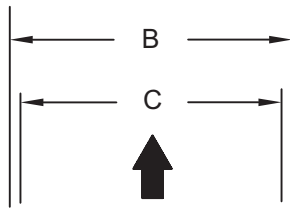
i-SERIES Dimensions

AAUX - AHUX

1.5, 2, 2.5, 3, 3.5, 4, 5 Ton

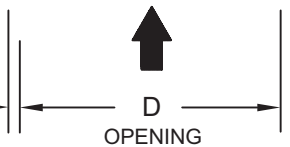


- NOTES:
- (1) NEMA 7 ENCLOSURE IS NOT SHOWN.
 - (2) UNITS ARE FACTORY CONVERTIBLE FOR UP OR DOWN AIR FLOW, OR HORIZONTAL RIGHT OR LEFT AIR FLOW.

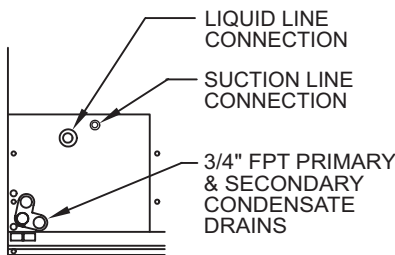


LIQUID CONNECTION:
3/8" (ALL)

SUCTION CONNECTION;
5/8" 1.5 & 2 TON
3/4" 2.5 & 3 TON
7/8" 3.5, 4, & 5 TON



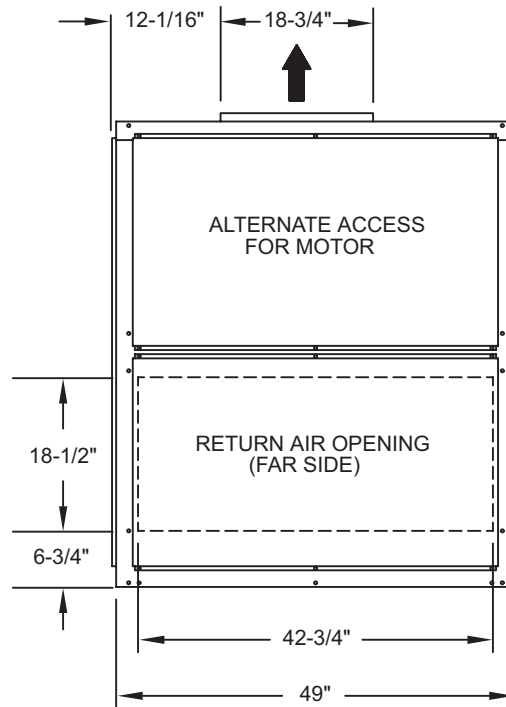
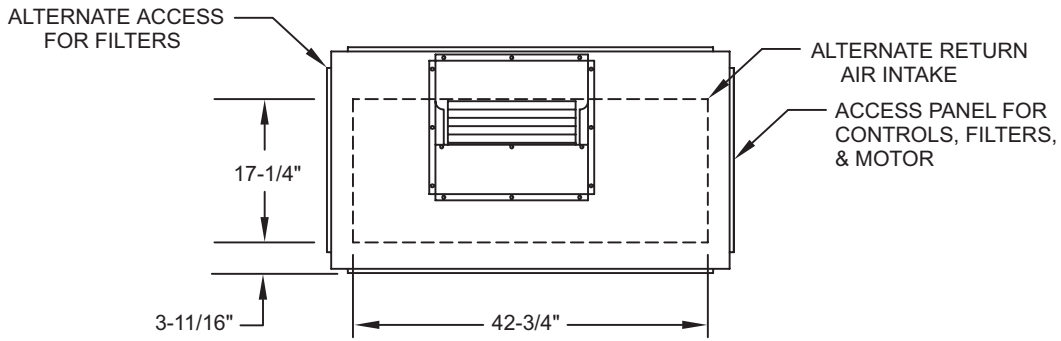
"A" COIL



SLOPE COIL

	COIL TYPE	A	B	C	D
1.5 TON	SLOPE	42-11/16"	14-5/16"	12-7/16"	12-5/16"
2 TON	SLOPE	47-5/8"	17-5/8"	15-3/4"	15-5/8"
2.5 TON	SLOPE	49-5/8"	17-5/8"	15-3/4"	15-5/8"
3 TON	A	49-5/8"	21-1/8"	19-1/4"	19-1/8"
3.5 TON	A	49-5/8"	21-1/8"	19-1/4"	19-1/8"
4 TON	A	53-7/16"	21-1/8"	19-1/4"	19-1/8"
5 TON	A	59-3/16"	24-11/16"	22-3/4"	22-11/16"

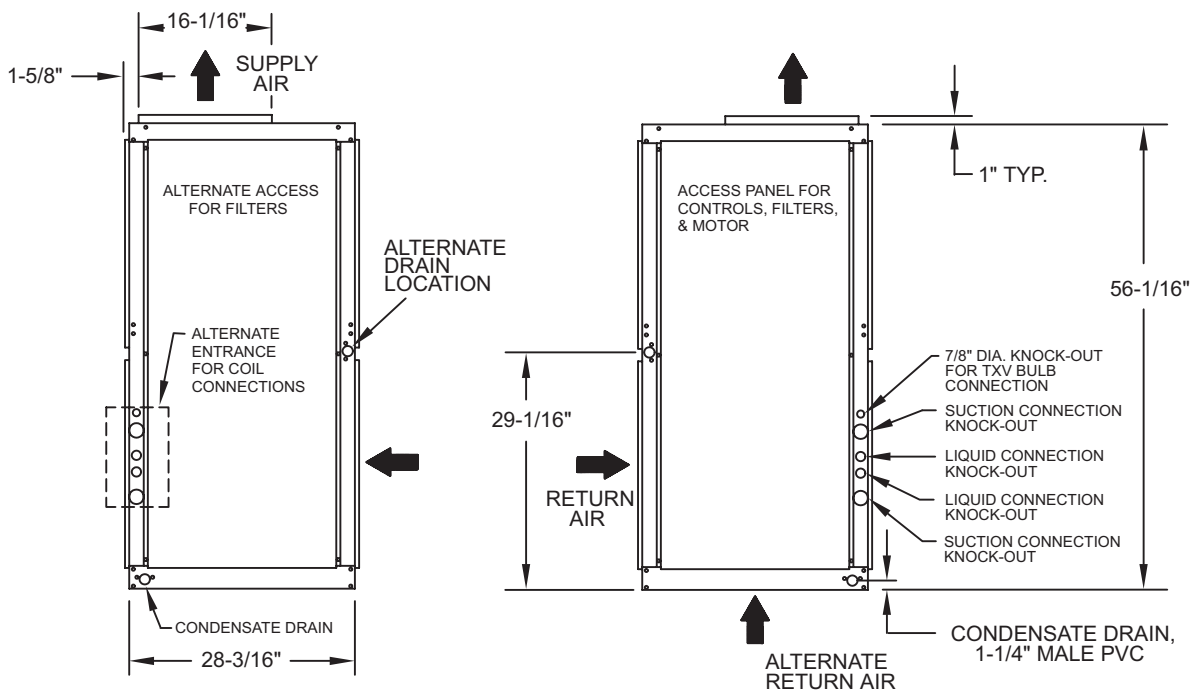
i-SERIES Dimensions
AAUX - 6, 7.5, 10 Ton
AHUX - 7.5, 10 Ton



NOTE: NEMA 7 ENCLOSURE IS NOT SHOWN

SUCTION CONNECTIONS:
 (1) 1-1/8" (6 & 7.5 TON)
 (2) 1-1/8" (10 TON)

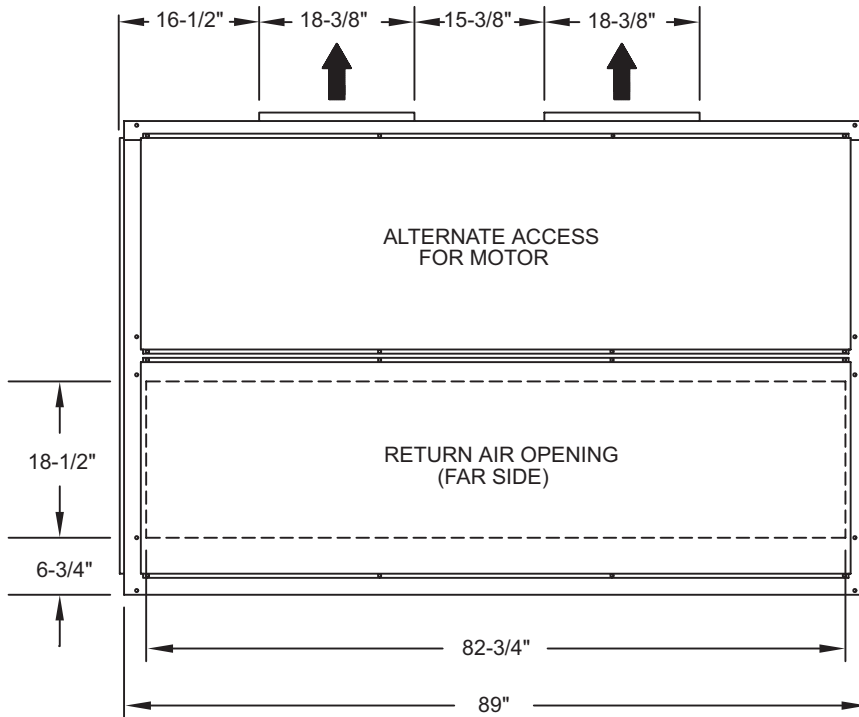
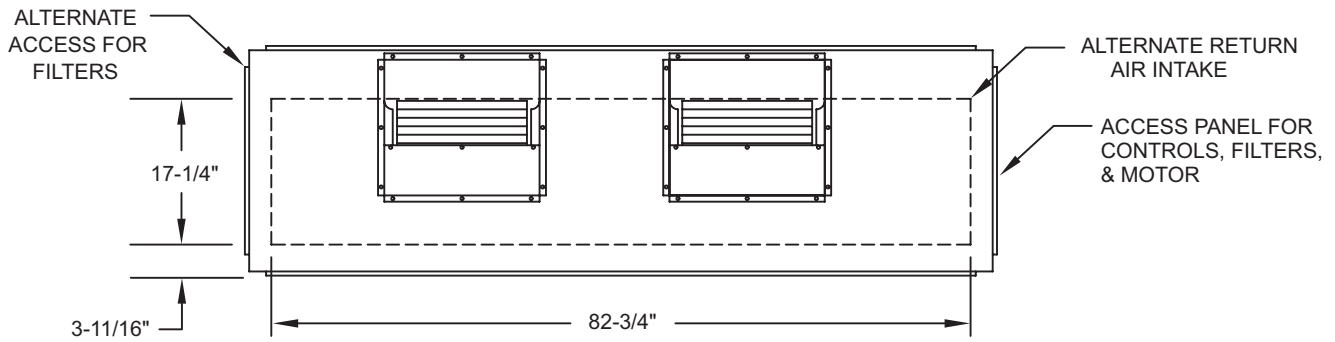
LIQUID CONNECTIONS:
 (1) 5/8" (6 & 7.5 TON)
 (2) 5/8" (10 TON)



i-SERIES Dimensions
AAUX - 12.5, 15, 20 Ton
AHUX - 15 Ton

Marc Climatic Controls, Inc.

12-28-04



NOTE: NEMA 7 ENCLOSURE IS NOT SHOWN.

SUCTION CONNECTIONS:
 (2) 1-1/8"
 (2) 1-5/8" (AHUX 15 TON)

LIQUID CONNECTIONS:
 (2) 5/8"

