

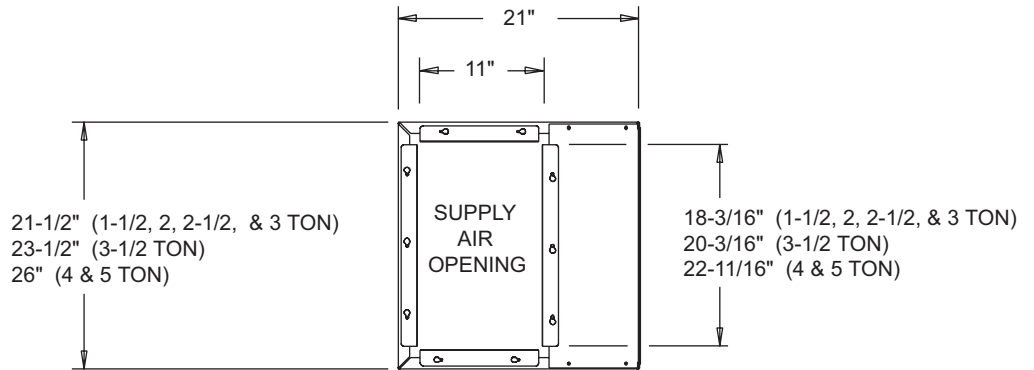
T-SERIES Dimensions

AAUX - AHUX

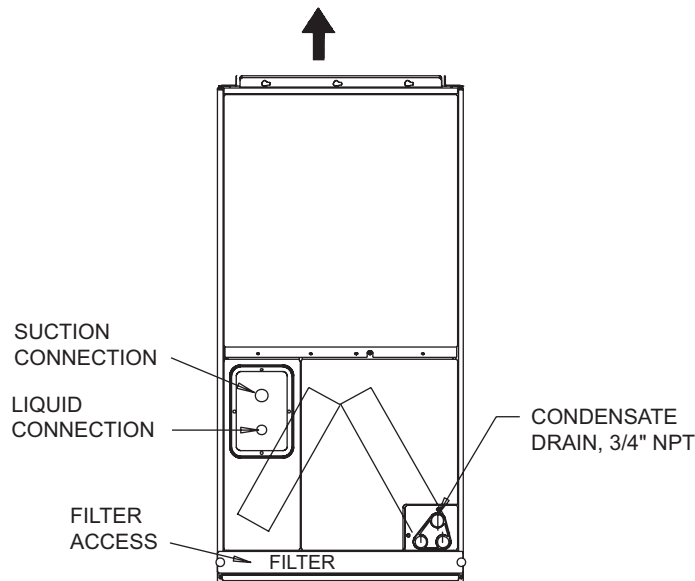
1.5, 2, 2.5, 3, 3.5, 4, 5 Ton

Marc Climatic Controls, Inc.

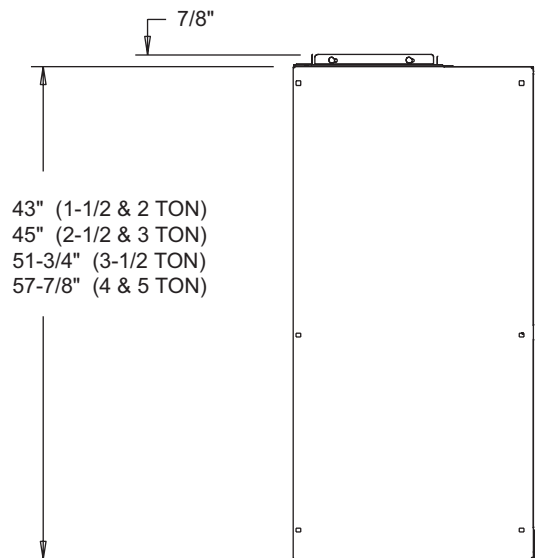
5-30-07



TOP VIEW



VERTICAL UPFLOW
INSTALLATION (SHOWN)

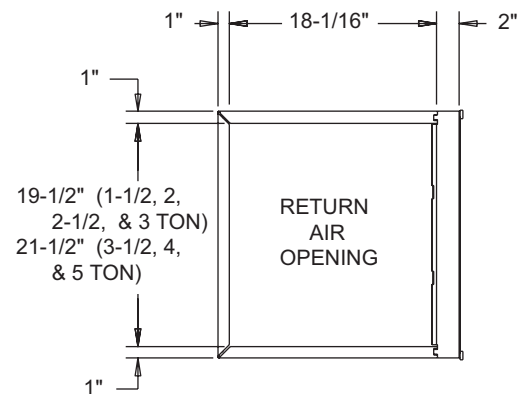


SIDE VIEW

SUCTION CONNECTION;	LIQUID CONNECTION:
5/8" (1-1/2 TON)	1/4" (1-1/2 TON)
3/4" (2 & 2-1/2 TON)	5/16" (2 & 2-1/2 TON)
7/8" (3 & 3-1/2 TON)	3/8" (3, 3-1/2, 4, & 5 TON)
1-1/8" (4 & 5 TON)	

NOTES:

- (1) NEMA 7 ENCLOSURE IS NOT SHOWN.
- (2) UNITS ARE FACTORY CONVERTIBLE FOR UP OR DOWN AIR FLOW, OR HORIZONTAL RIGHT OR LEFT AIR FLOW.



BOTTOM VIEW

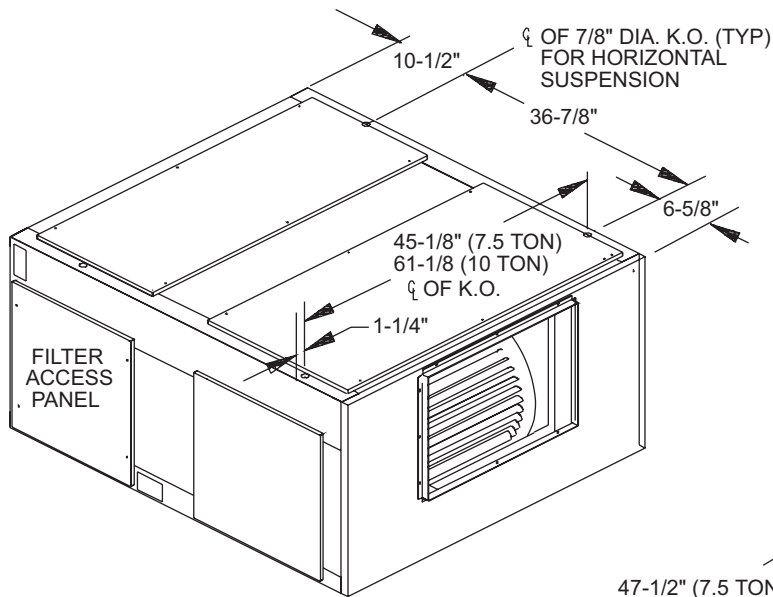
T-SERIES Dimensions

AAUX - 7.5 & 10 Ton

AHUX - 7.5 & 10 Ton

Marc Climatic Controls, Inc.

5-29-07



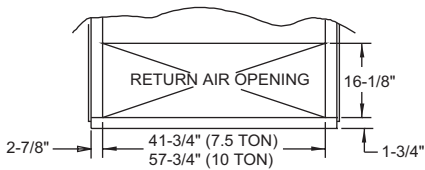
NOTE: NEMA 7 ENCLOSURE IS NOT SHOWN.

SUCTION CONNECTIONS:

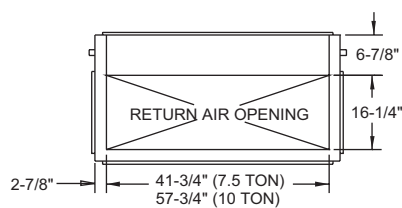
- (1) 1-3/8" (7.5 TON)
- (2) 1-1/8" (10 TON AAUX AC)
- (1) 1-3/8" (10 TON AHUX HP)

LIQUID CONNECTIONS:

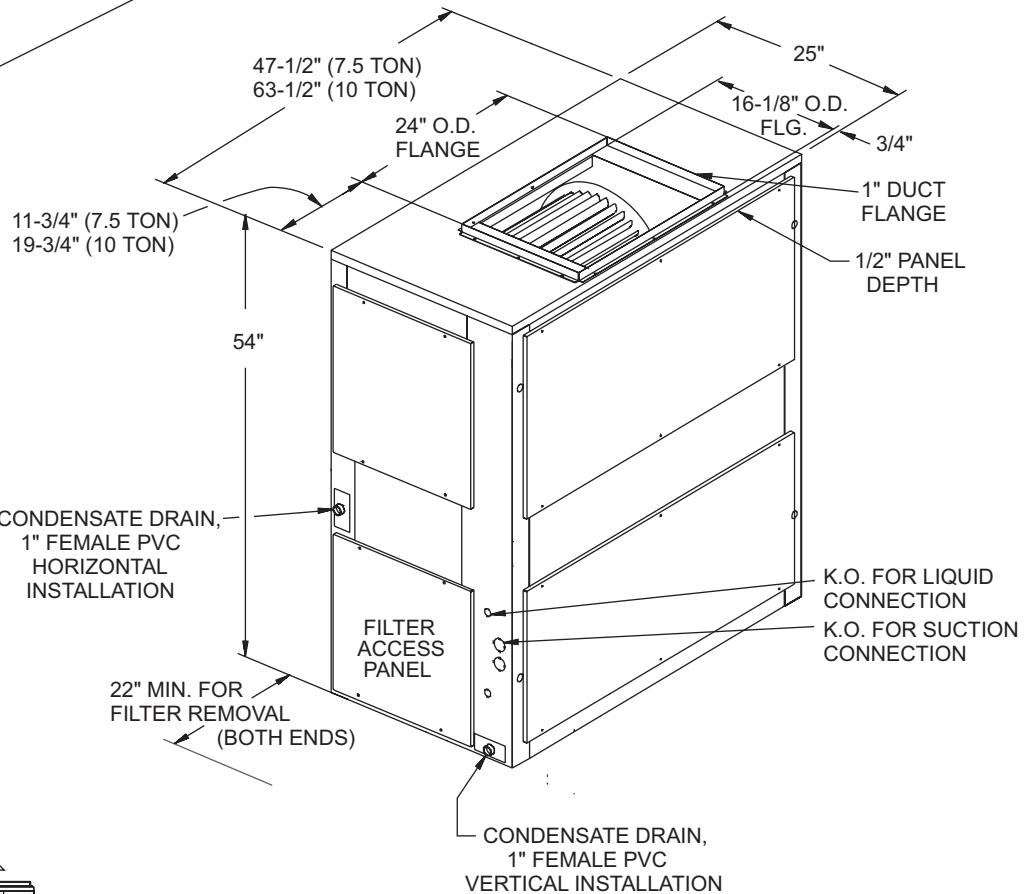
- (1) 1/2" (7.5 TON)
- (2) 3/8" (10 TON AAUX, AC)
- (1) 1/2" (10 TON AHUX, HP)



RETURN AIR OPENING
 VERTICAL -- HORIZONTAL RETURN
 OR
 HORIZONTAL -- VERTICAL RETURN

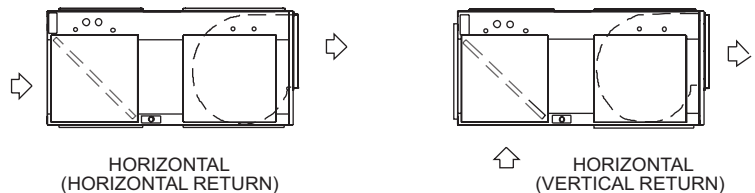
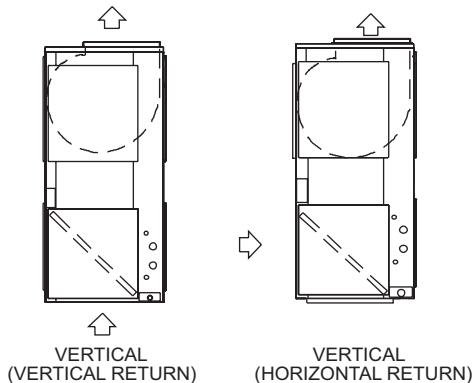


RETURN AIR OPENING
 VERTICAL -- VERTICAL RETURN
 OR
 HORIZONTAL -- HORIZONTAL RETURN



CONDENSATE DRAIN,
 1" FEMALE PVC
 HORIZONTAL
 INSTALLATION

CONDENSATE DRAIN,
 1" FEMALE PVC
 VERTICAL
 INSTALLATION



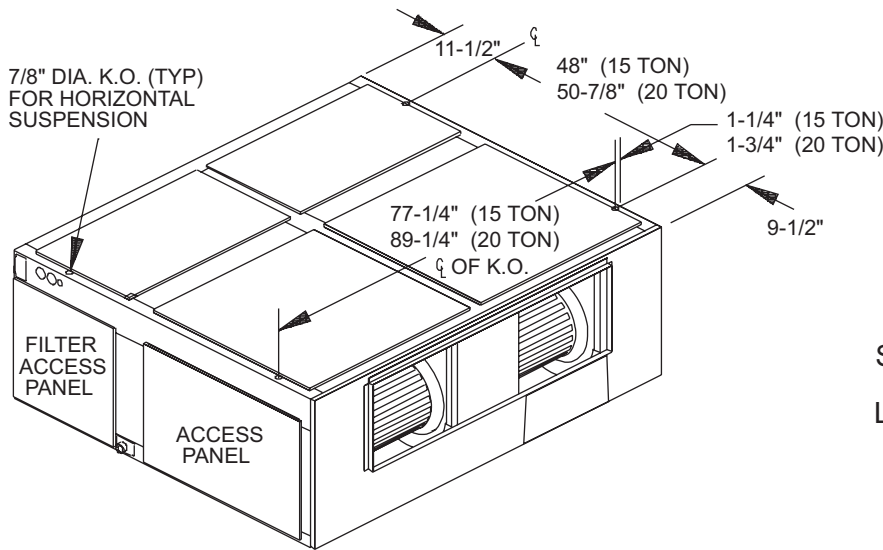
T-SERIES Dimensions

AAUX - 15 & 20 Ton

AHUX - 15 & 20 Ton

Marc Climatic Controls, Inc.

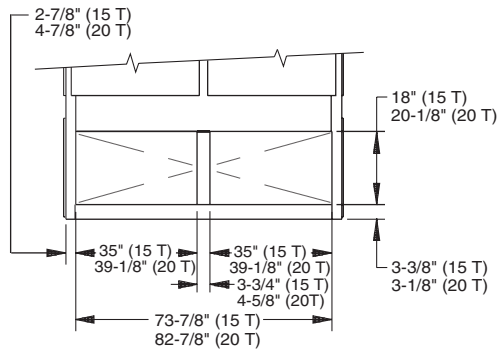
5-29-07



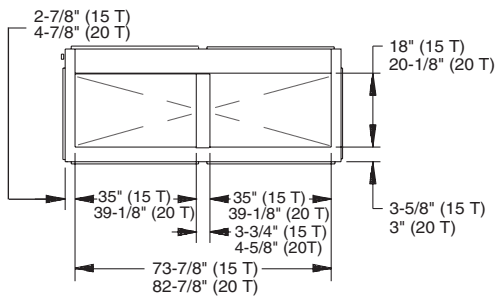
NOTE: NEMA 7 ENCLOSURE IS NOT SHOWN.

SUCTION CONNECTIONS: (2) 1-3/8"

LIQUID CONNECTIONS: (2) 1/2"



RETURN AIR OPENING
VERTICAL -- HORIZONTAL RETURN
OR
HORIZONTAL -- VERTICAL RETURN



RETURN AIR OPENING
VERTICAL -- VERTICAL RETURN
OR
HORIZONTAL -- HORIZONTAL RETURN

