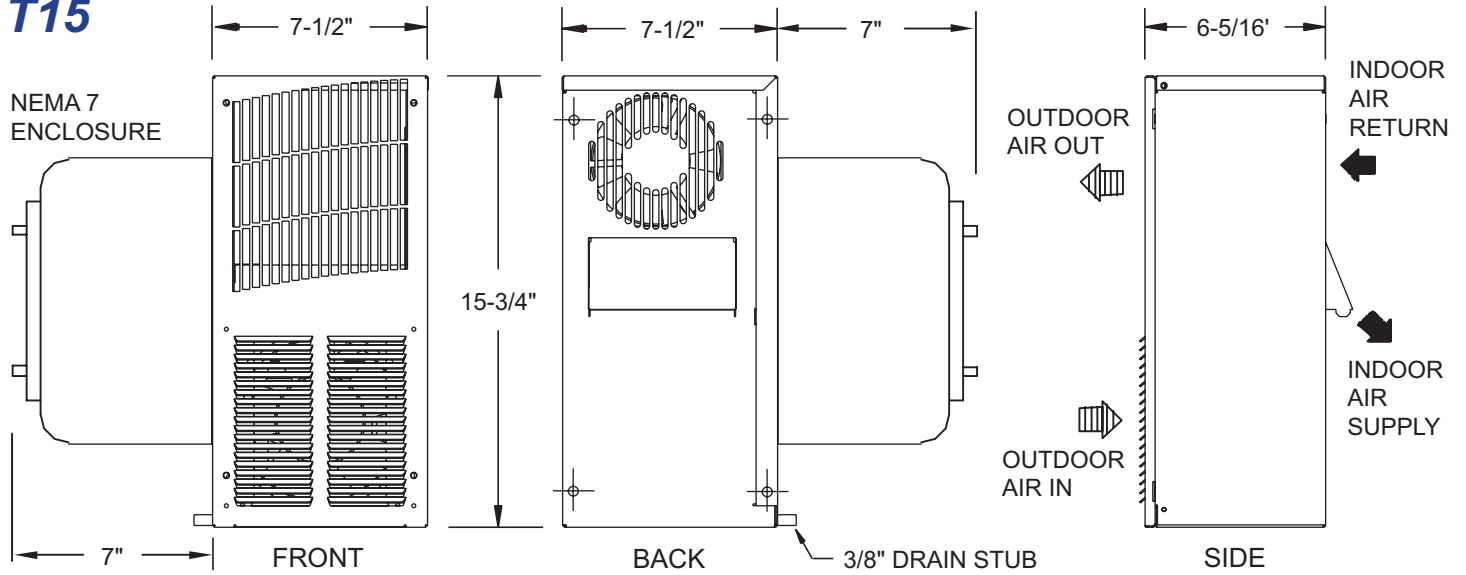
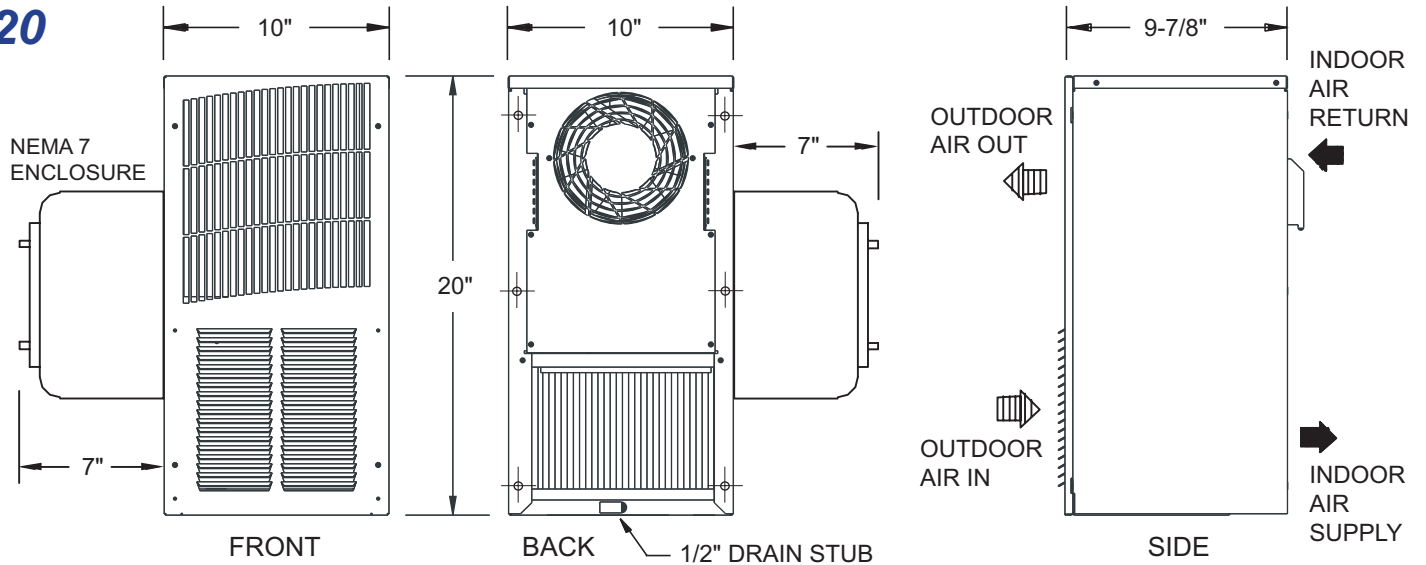


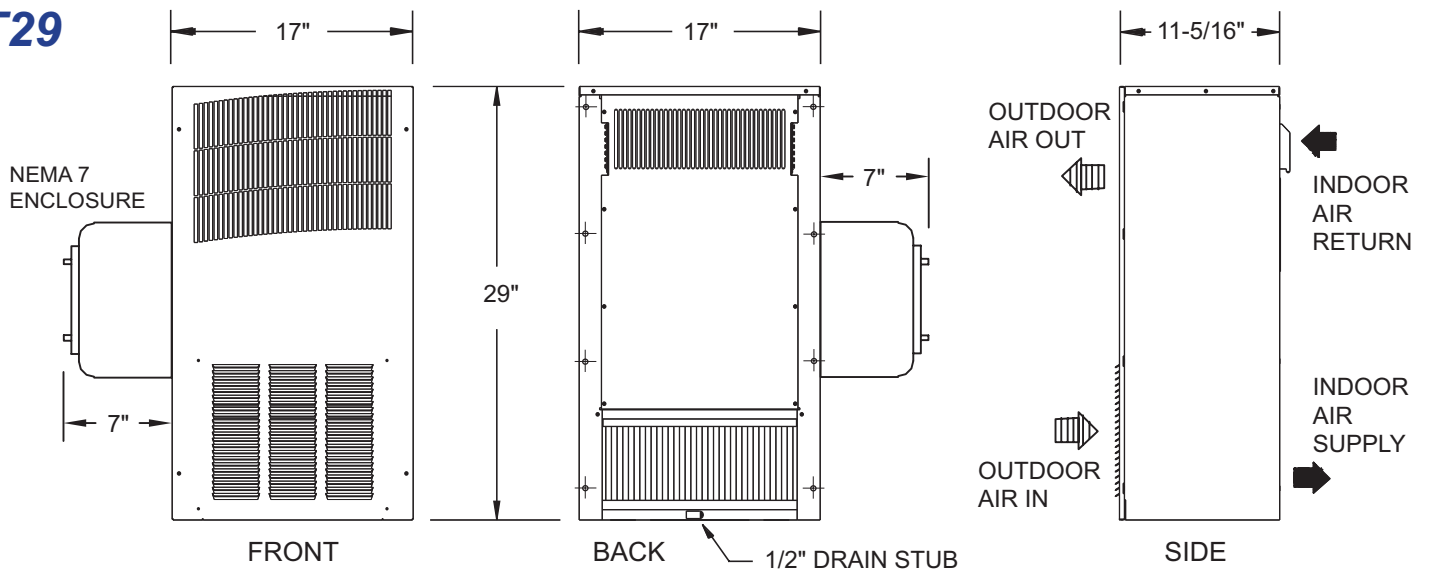
T15



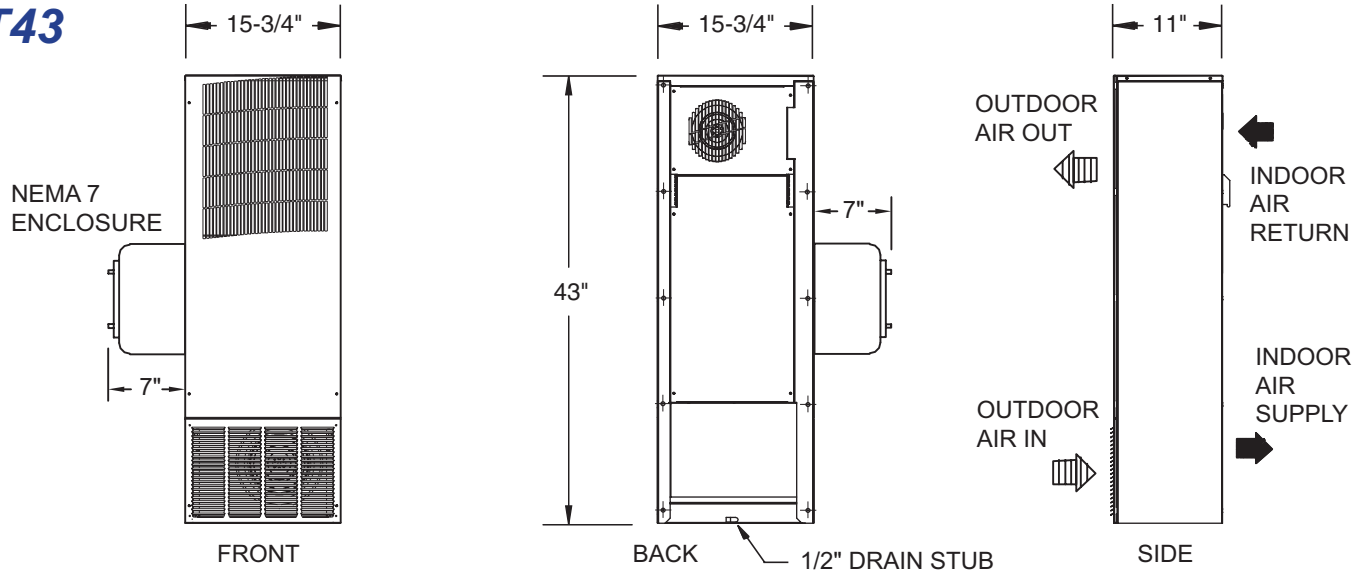
T20



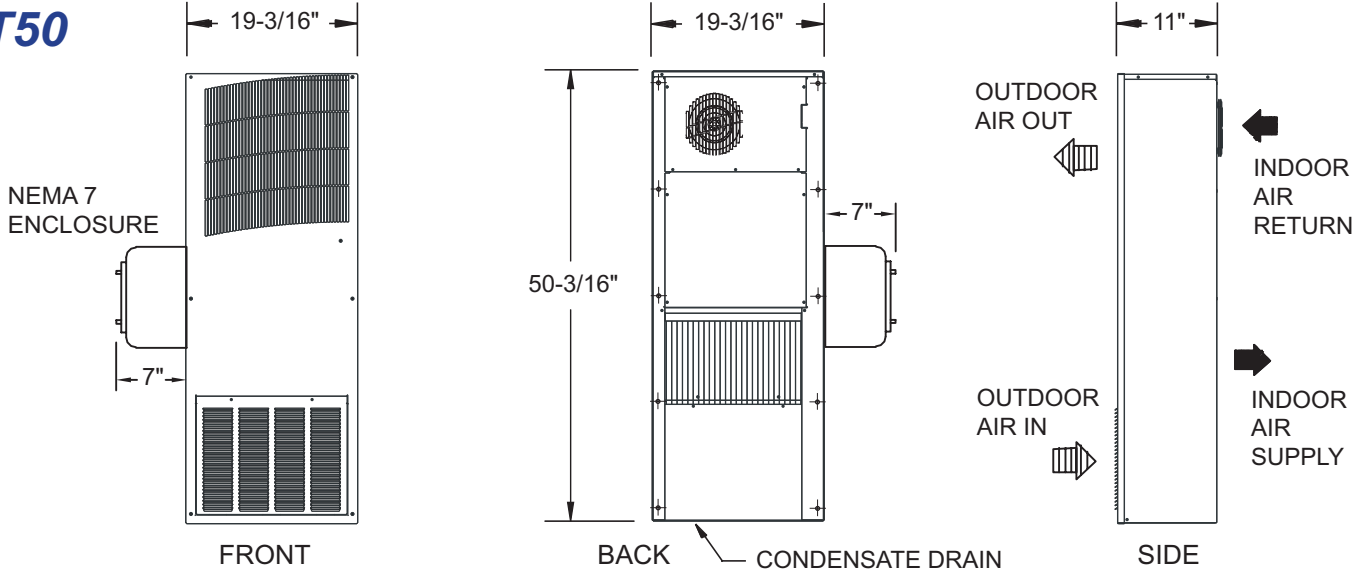
T29



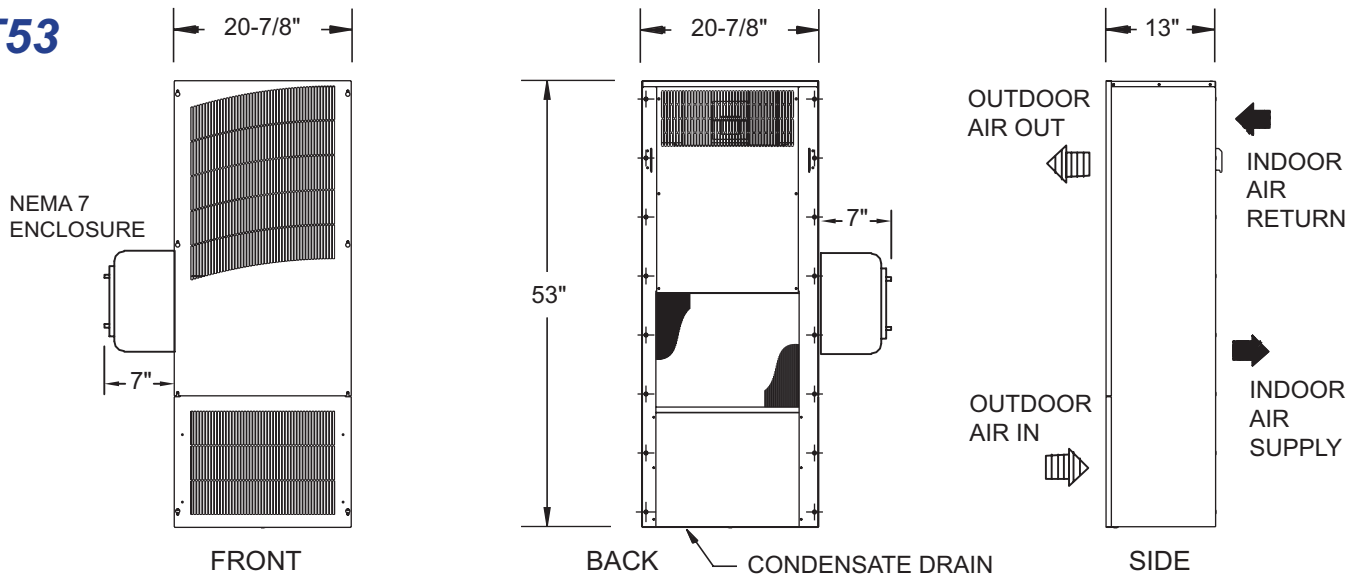
T43



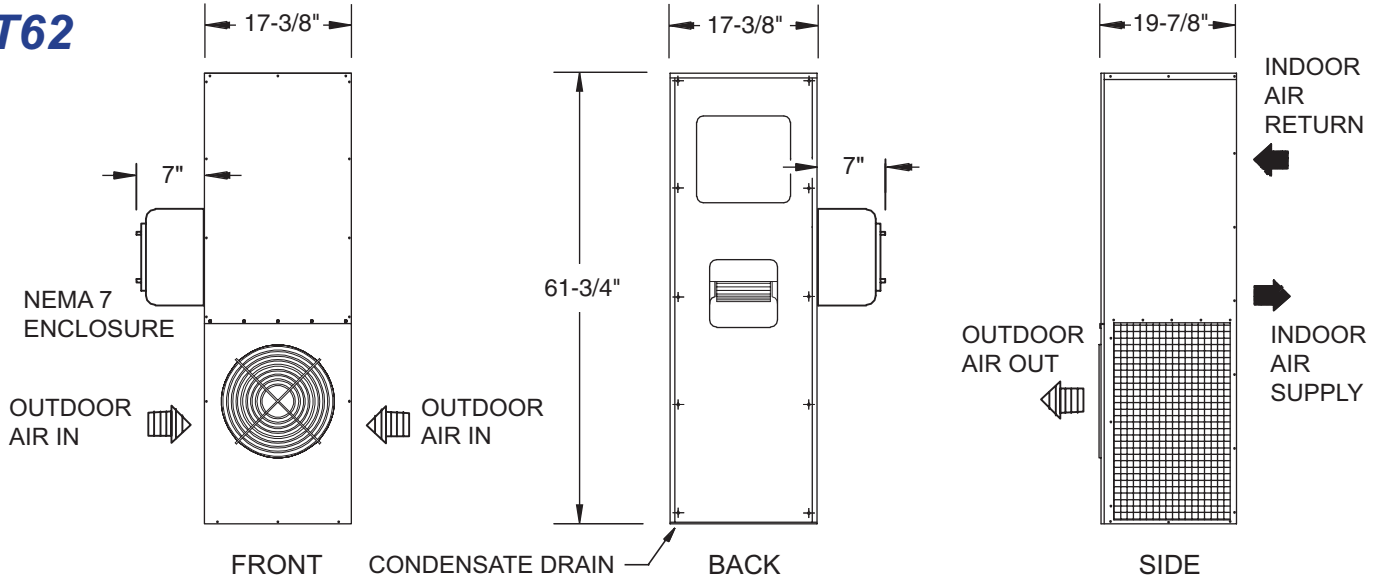
T50



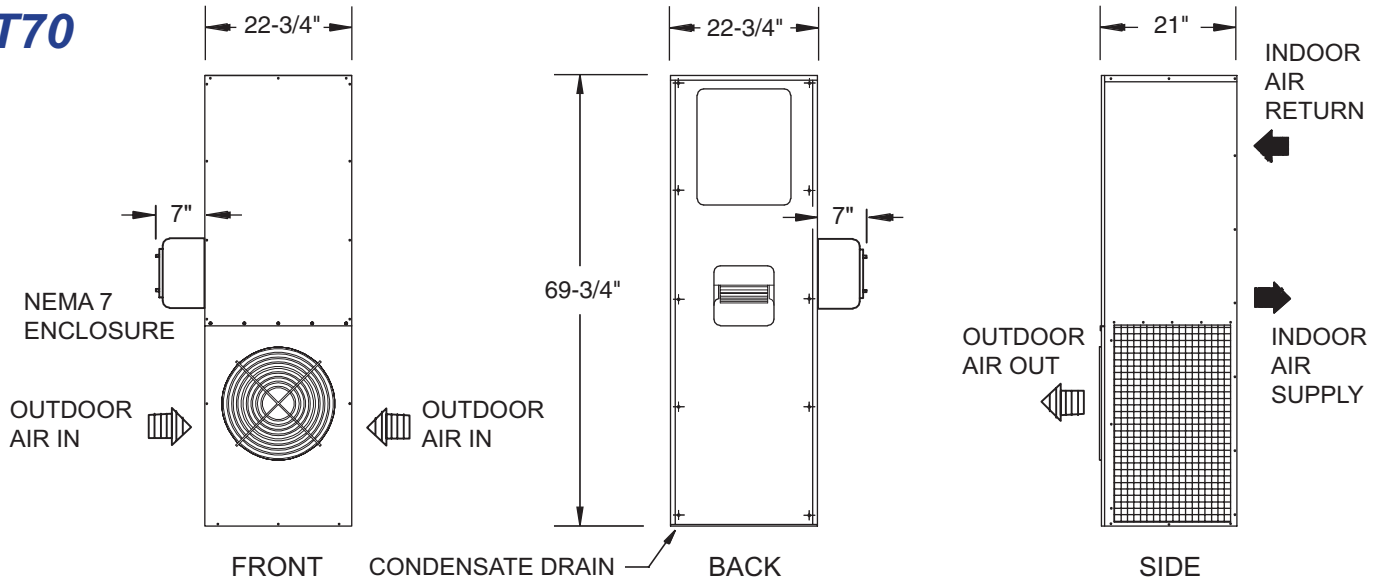
T53



T62



T70



T75

